



CC Series

VACUUM PUMPS



OPERATING MANUAL

Thank you for selecting a Javac select product!

Please read this operation manual carefully before use.
Only suitably qualified personnel should operate this equipment.

Table of Contents

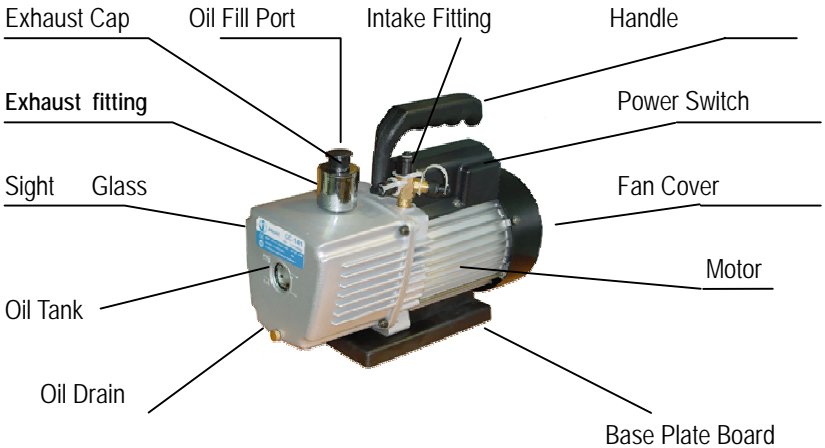
I	Application	2
II	Pump Components	3
III	Before starting	4
IV	Trouble Shooting	5
V	Exploded Drawing.....	6
VI	Warranty	7
VII	Service Tools.....	8

Application:

CC - series two stage oil sealed rotary vane vacuum pumps are basic equipment to evacuate domestic, automotive and light commercial refrigeration and AC equipment. They are suitable for use with R134a, R22 and compatible refrigerants.

Jovac

Pump components



Technical Specifications: -

Model	CC-31	CC-81	CC-141	CC-181	CC-231
Voltage	220/240v 50Hz	220/240v 50Hz	220/240v 50Hz	220/240v 50Hz	220/240v 50Hz
Free Air Displacement	36 l/min	76 l/min	132 l/min	176 l/min	225 l/min
Ultimate Vacuum	25Micron	25Micron	25Micron	25Micron	25Micron
Motor	1/4 Hp	1/3 Hp	1/3 Hp	½ Hp	2/3 Hp
Motor Speed	1440 r/m	1440 r/m	2880 r/m	2880 r/m	2880 r/m
Oil Capacity	350 ml	380 ml	450 ml	500 ml	500 ml
Dimensions	330x135x255(mm)	350x143x265(mm)	350x143x265(mm)	380x160x285(mm)	380x160x285(mm)
Net Weight	9.8Kg	11.5Kg	12Kg	14Kg	15.5Kg

Before starting: -

Add vacuum pump oil and always check the oil level before use. Low oil level or poor quality oil will result in premature wear and poor performance.

Install on a flat surface with adequate ventilation; allow 5cm on all sides of the pump. Remove the intake and exhaust fitting cap and connect via a suitable hose to a manifold or suitable circuit.

Connect to a suitable safe power source using earth leakage devices when using extension cords.

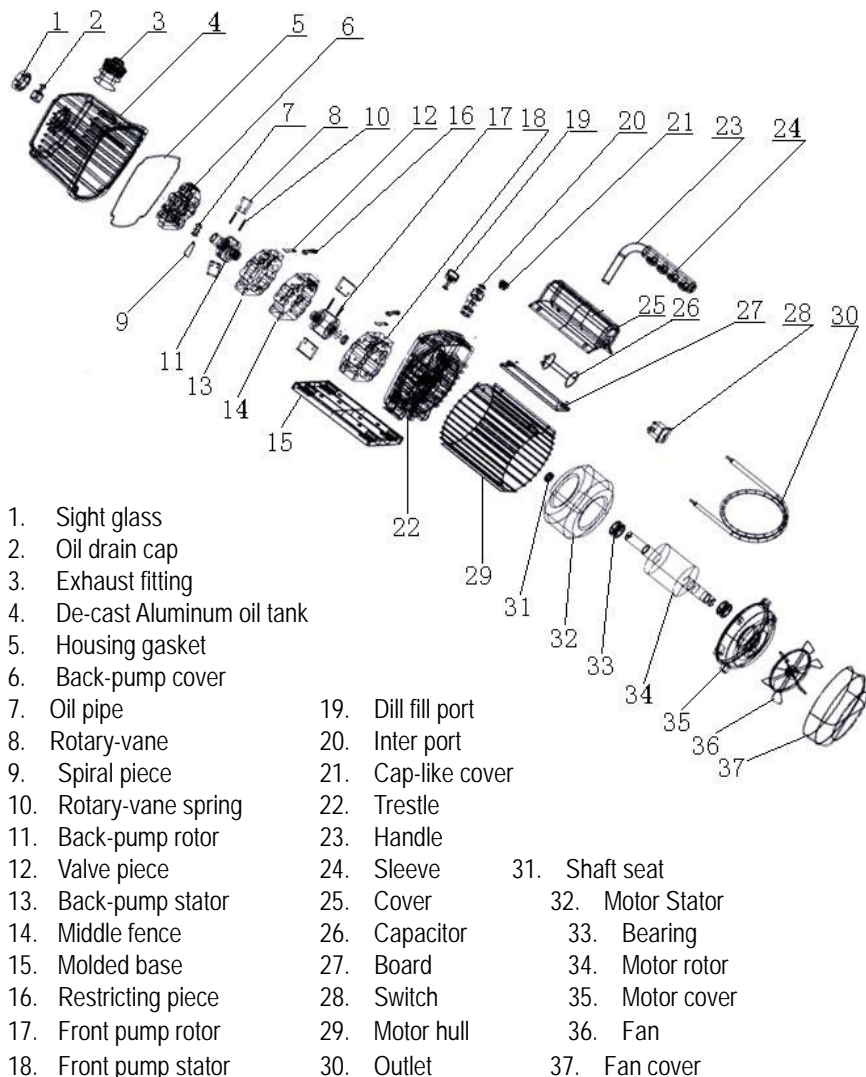
Caution:

- 1) Do not use with combustible, explosive, poisonous or reactive/corrosive gases.
- 2) Do not allow dust particles to enter the pump.
- 3) Do not allow the pump to run to open air / atmosphere for more than 3 minutes;
- 4) Do not allow the inlet temperature of gases to exceed 80°C. Do not use in environments over 50°C;
- 5) Not suitable for use as a compressor, transfer pump or recovery pump.
- 6) Do not operate without oil.
- 7) Pump surface may be hot.
- 8) Do not block air outlet when pump is in use.
- 9) Suitable for indoor use only.

Trouble Shooting

Symptom	Suggestion?	Solution
Poor vacuum	1. Oil insufficient	Add oil to center line of sight glass
	2. Pump oil emulsified, not clean	Replace with new oil
	3. Oil inlet blocked or oil feeding inadequate	Clean oil inlet and filtering screen
	4. Pump hose or vessel leak	Check hose and vessel for leakage and repair
	5. Improper pump chosen	Pump too small – use larger pump
	6. Worn components	Repair or replace with a new pump
Oil leakage	1. Oil seal damaged	Replace with a new oil seal
	2. Oil casing gasket loose or damaged	Tighten screws or replace O-type ring
Oil discharge	1. Too much oil	Drain oil to oil base line on sight glass
	2. Inlet pressure too high	Use recovery pump to remove pressure
Starting problems - overheating	1. Temperature below +5C	Allow temperature to rise
	2. Motor overloaded.	Wait 5 minutes, re start, or press motor reset if installed.
	3. Foreign matter falling in the pump	Check and eliminate the foreign matter
	4. Low voltage	Avoid long extension leads.
	5. Overheated	Check fan, ventilation and repair
	6. SAFETY If in any doubt.	Consult JAVAC

Exploded Drawing



10.0 WARRANTY

JAVAC warrants your Vacuum Pump to be free from defects of materials or workmanship for one year from the date of purchase. JAVAC does not warrant any machine that has been subjected to misuse, negligence, accident, repaired or altered by anyone other than JAVAC. Javac's liability is limited to machines returned to JAVAC, transportation prepaid, not later than thirty (30) days after the warranty period expires, and which JAVAC judges to have malfunctioned because of defective material or workmanship. JAVAC'S liability is limited to, at its option, repairing or replacing the defective machine or part.

This WARRANTY is in lieu of all other warranties, express or implied, whether of MERCHANTABILITY or FITNESS FOR A PARTICULAR PURPOSE or otherwise. All such other warranties are expressly disclaimed. JAVAC shall have no liability in excess of the price paid to JAVAC for the machine plus return transportation charges prepaid. JAVAC shall have no liability for any incidental or consequential damages. All such liabilities are EXCLUDED.

JAVAC and or its Agents have the right to charge for costs incurred for incorrectly diagnosed customer warranty claims.



Javac Select products are specially manufactured for Javac by our approved partners

Javac

Javac - Supplying the world with Vacuum & Refrigeration Process Solutions

Javac Service Tools Include

- Vacuum Pumps
- Recovery Machines
- Recycle Machines
- Charging Units
- Leak Detectors
- Manifolds
- Hoses
- Tools & Accessories

Javac UK Limited
Europe Office
Unit 6 Drake Court, Britannia Park, Middlesbrough
TS2 1RS, United Kingdom
Tel: +44 1642 232880 **Fax:** +44 1642 232870

Javac - Supplying the world with Vacuum & Refrigeration Process Solutions